



DIRTT

SPECIFICATION GUIDE | **CUSHMAN & WAKEFIELD**



September 2021

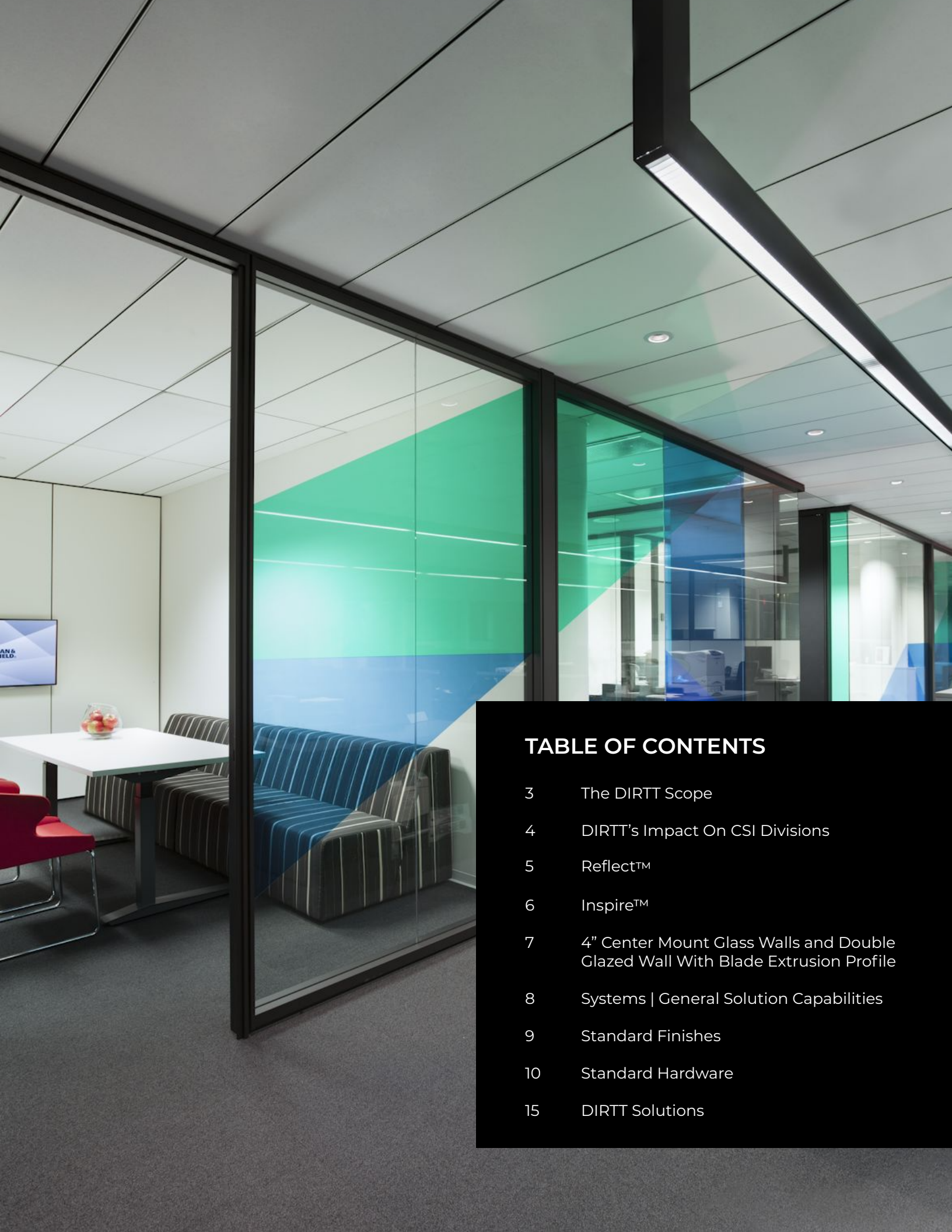
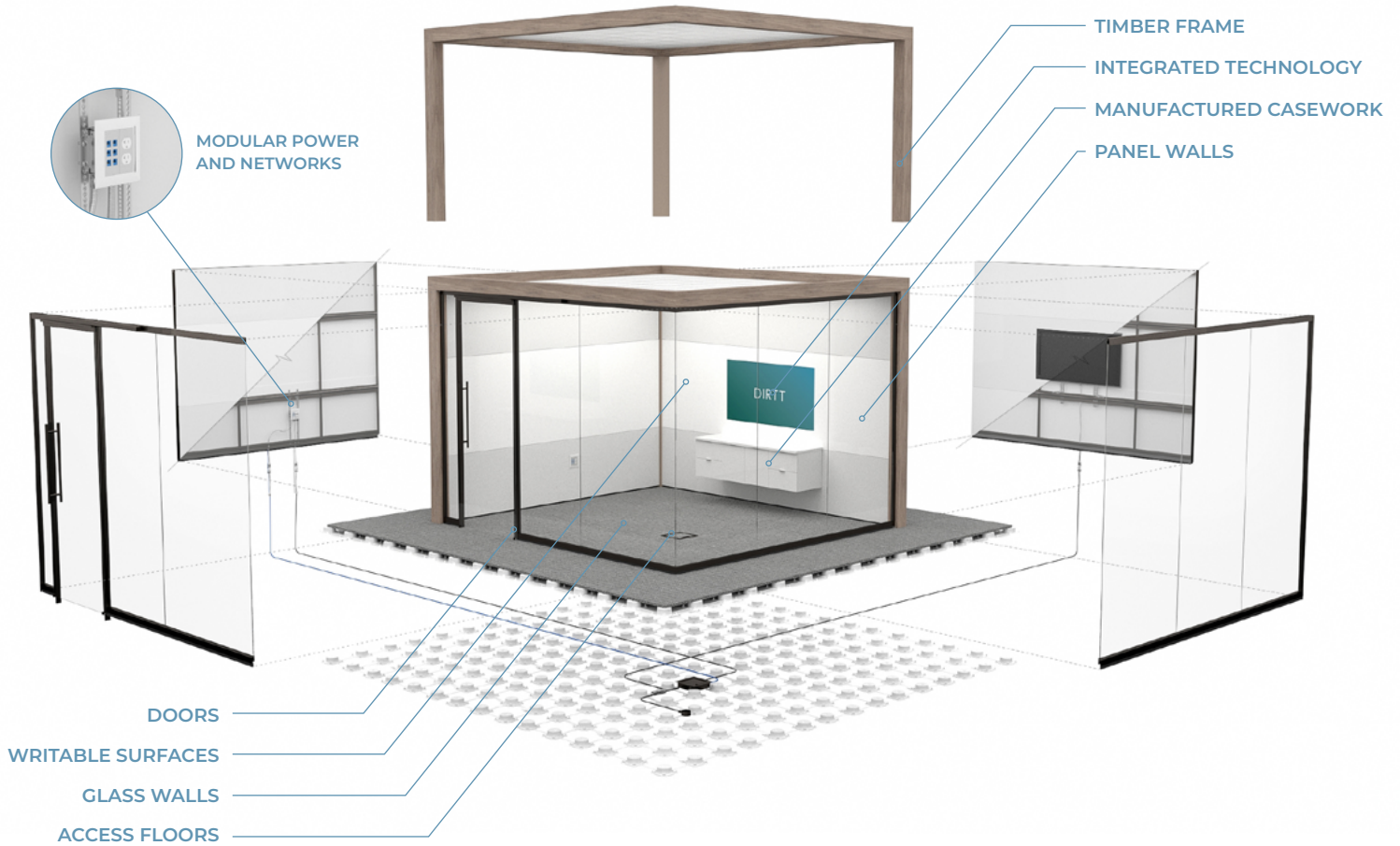


TABLE OF CONTENTS

- 3 The DIRTT Scope
- 4 DIRTT's Impact On CSI Divisions
- 5 Reflect™
- 6 Inspire™
- 7 4" Center Mount Glass Walls and Double Glazed Wall With Blade Extrusion Profile
- 8 Systems | General Solution Capabilities
- 9 Standard Finishes
- 10 Standard Hardware
- 15 DIRTT Solutions

THE DIRTT SCOPE

Together with our network of construction partners, DIRTT builds all elements of a thoughtfully designed interior space.



Removable Wall Panels
Easy access to the wall cavity for new technology integration or maintenance.



Painless Architectural Connections
Custom manufactured solutions precisely fit existing base building conditions.



Integrated Acoustical Performance
A sustainable noise-reduction solution for elevated acoustical performance.

DIRTT'S IMPACT ON CSI DIVISIONS

Captures

05 05 13 Shop-Applied Coatings for Metal	09 81 00 Acoustic Insulation
05 10 00 Structural Metal Framing	09 72 00 Wall Coverings (equivalent)
05 70 00 Decorative Metal	09 74 13 Wood Wall Coverings (equivalent)
05 73 00 Decorative Metal Railings	09 75 00 Stone Facing (equivalent)
06 10 00 Rough Carpentry	09 77 00 Special Wall Surfacing (equivalent)
06 11 00 Wood Framing	09 77 23 Fabric-Wrapped Panels (equivalent)
06 11 00 Wood Framing	09 90 00 Painting and Coating (equivalent)
06 17 00 Shop-Fabricated Structural Wood	09 91 00 Painting (equivalent)
06 18 00 Glued-Laminated Construction	09 93 00 Staining and Transparent Finishing (equivalent)
06 22 00 Millwork	10 11 00 Visual Display Units
06 25 00 Prefinished Paneling	10 11 43 Visual Display Wall Panels
06 41 00 Architectural Wood Casework	10 14 00 Signage
06 42 00 Wood Paneling	10 22 19 Demountable Partitions
06 43 00 Wood Stairs and Railings	10 22 39 Folding Panel Partitions
06 44 00 Ornamental Woodwork	10 26 00 Wall and Door [Corner] Protection
07 92 19 Acoustical Sealant	10 51 00 Lockers
08 10 00 Doors and Frames	12 10 00 Art
08 31 00 Access Doors and Panels	12 32 00 Manufactured Casework
08 43 13 Aluminum-framed Storefronts	12 36 00 Countertops
08 43 15 Interior Aluminum-framed Storefronts	13 32 75 Integrated Interior Assemblies
08 71 00 Door Hardware	26 05 19 Low-Voltage Electrical Power Conductors and Cables
08 80 00 Glazing	26 05 29 Hangers and Supports for Electrical Systems
09 20 00 Plaster and Gypsum Board	26 05 33 Raceways and Boxes for Electrical Systems
09 21 16 Gypsum Board Assemblies	26 09 23 Lighting Control Devices
09 22 19 Non-Structural Metal Framing	26 27 26 Wiring Devices
09 29 00 Gypsum Board	27 05 29 Hangers and Supports for Communications Systems
09 51 00 Acoustical Ceilings	27 05 33 Conduits and Backboxes for Communications Systems
09 65 13 Resilient Base and Accessories	27 11 00 Communications Equipment Fittings
09 69 33 Low-Profile, Fixed Height Access Flooring	27 15 00 Communications Horizontal Cabling

Simplifies

01 14 00 Work Restrictions	11 52 00 Audio-Visual Equipment
01 21 16 Construction Contingencies	22 61 13 Compressed Air Piping for Laboratory and Healthcare Facilities
01 30 00 Administrative Requirements	22 62 13 Vacuum Piping for Laboratory and Healthcare Facilities
01 33 00 Submittal Procedures	22 63 13 Gas Piping for Laboratory and Healthcare Facilities
01 35 33 Infection Control	23 31 13 Metal Ducts
01 52 00 Construction Facilities	26 05 00 Common Work Results for Electrical
01 65 00 Product Delivery Requirements	26 27 26 Wiring Devices
01 73 29 Cutting and Patching	27 05 00 Common Work Results for Communications
09 51 00 Acoustical Ceilings	27 05 29 Hangers and Supports for Communications Systems
09 60 00 Flooring	27 05 33 Conduits and Backboxes for Communications Systems
09 65 00 Resilient Flooring	
09 68 00 Carpeting	



[▶ VIEW THE VIDEO HERE](#)

REFLECT™

Reflect is DIRTT's slimmest line to date. It offers the best of manufactured construction together with the aesthetic of clean lines and a reliable fit. It's a minimalist profile that reflects your vision. Reflect is currently offered with a base building wall start and bulkhead ceiling connections. However, further capabilities are in rapid development. Please work with your DIRTT team on specific requirements.

- Base height of only 1¾" (44 mm)
- Frameless glass barn doors with hidden hardware track
- More than 60% thinner than DIRTT's standard glass walls
- Innovative levelling system (½" variance) works in more places with uneven floors
- Slim profile ceiling connections
- Transparent polycarbonate glass connections reduce the number of vertical supports

[➔ Learn more](#)



INSPIRE™

Design without compromise. Inspire is DIRTT's adaptable, slim line solution. With a non-generational approach and modular offering, Inspire offers a sleek aesthetic with the option for future flexibility.

- Standard Wall Thickness: 2"
- Build: Modular and stick-built options
- Glass: Clear tempered or laminated (6mm, 10mm or 12 mm)
- Connection: To 4" walls (glass or solid) with in-line or offset transition posts using cufflinks
- Levelers: Seismic and non-seismic levelers

[➔ Learn more](#)



4" CENTER MOUNT GLASS WALLS AND DOUBLE GLAZED WALLS WITH BLADE EXTRUSION PROFILE

Blade's striking profile creates an architectural detail with a rectilinear and elegant presentation. Blade-style walls are suitable for framed or butt joint glass DIRT™ wall styles. Blade can accommodate a wide range of base building requirements. Center Mount Glass Walls provide full flexibility with both modular and stickbuilt solutions and a full spectrum of finish options.

- Base height of only 1 $\frac{3}{4}$ " (44mm) plus base trim reveal at floor variance
- 4" frame thickness marries seamlessly to DIRT™'s standard 4" wall systems
- Robust leveling capability of + 1 $\frac{1}{8}$ " (29mm) - $\frac{3}{8}$ " (10mm)

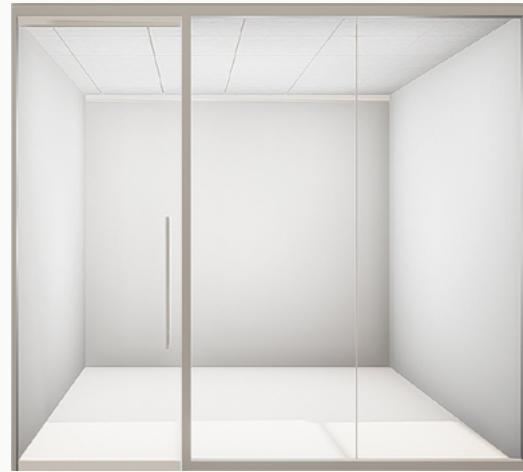
[↪ Learn more](#)

SYSTEMS General Solution Capabilities

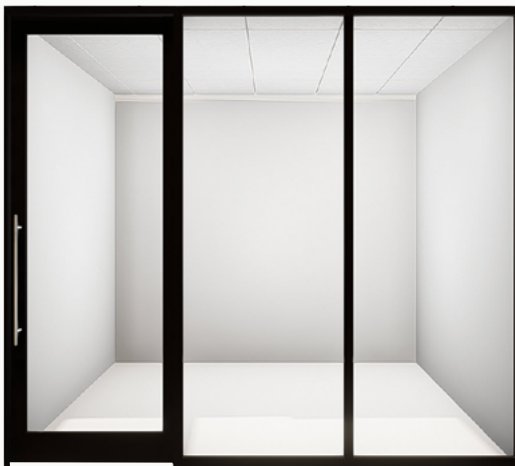
	Inspire™	Reflect™	Blade
Slim line aesthetic	Yes	Yes	Yes
Finish options	Clear anodized, Powdercoated	Clear anodized, Powdercoated	Clear anodized, Powdercoated
Glass	¼" (6mm), ⅜" (10mm), ½" (12mm)	⅜" (10mm), ½" (12mm)	¼" (6mm), ⅜" (10mm), ½" (12mm)
Base profile height	2" (51mm)	1 ¾" (44mm)	1 ¾" (44mm)
Base profile width	2" (51mm)	1 ½" (38mm)	4" (102mm)
Ships	Prefab or stickbuilt	Stickbuilt only	Prefab or stickbuilt
Leveling Capability	1 ⅛" (down ½" or up ⅝")	½" (¼" up or down)	1 ½" (down ⅜" or up 1 ⅛") Extended Leveler +2⅝" overall



Option 1 Black powdercoat, stick-built fronts, frameless glass sliding door. Shown with a black powdercoat 30" bar pull.



Option 2 Anodized aluminum, stick-built fronts, frameless glass swing door. Shown with a brushed stainless 30" bar pull.



Option 3 Black powdercoat, unitized frames, 4" framed sliding door. Shown with a brushed stainless 30" bar pull.

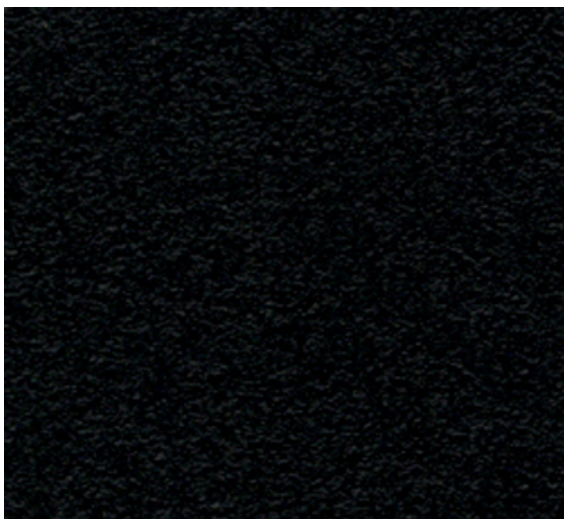


Option 4 Anodized aluminum, unitized frames, 4" framed swing door. Shown with a lever set.



STANDARD FINISHES

- Any wood veneers/stains to be confirmed on a project basis
- Stain/species matching upon request
- 10mm tempered glass



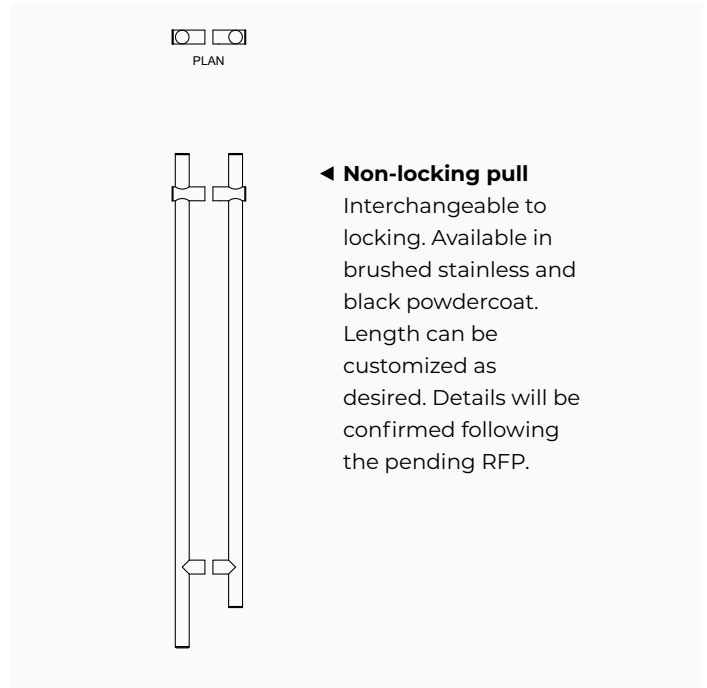
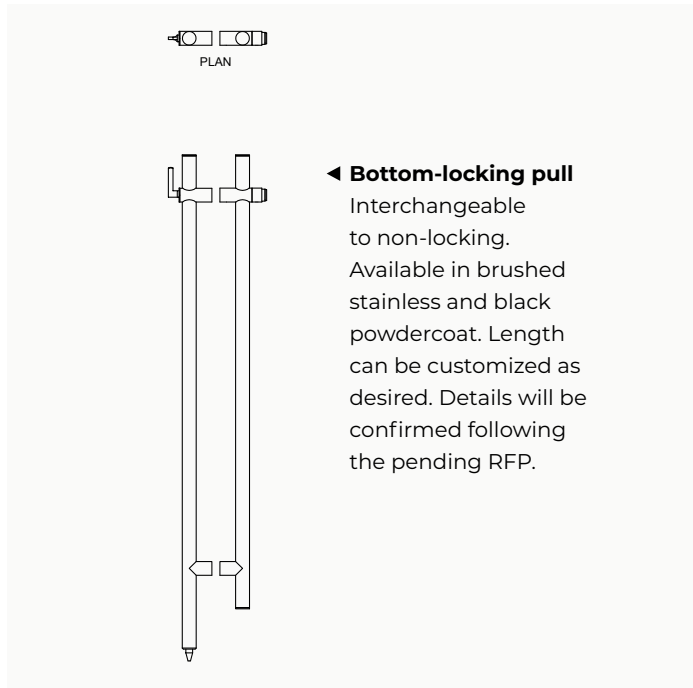
Black Powdercoat



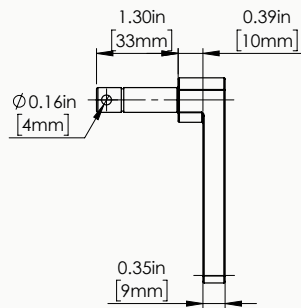
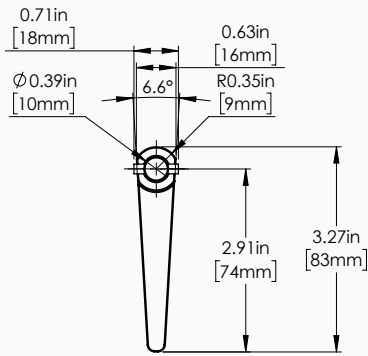
Clear Anodized

STANDARD HARDWARE

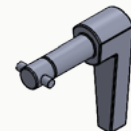
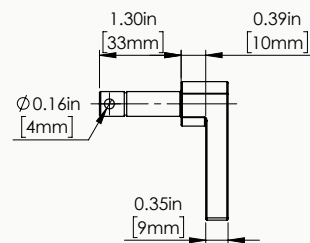
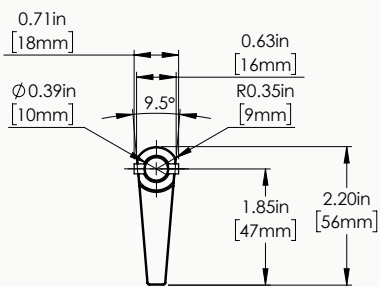
Section details for hardware are available upon request.



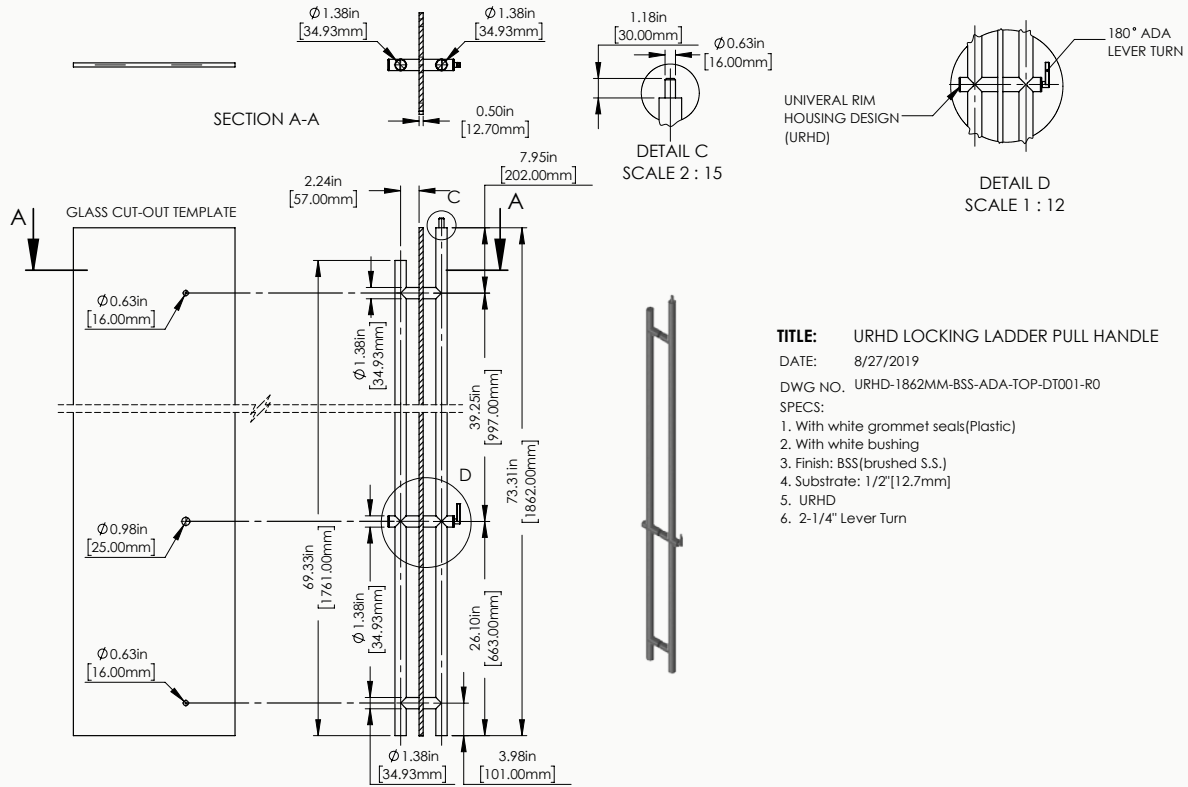
3-1/4", 180° ADA LEVER



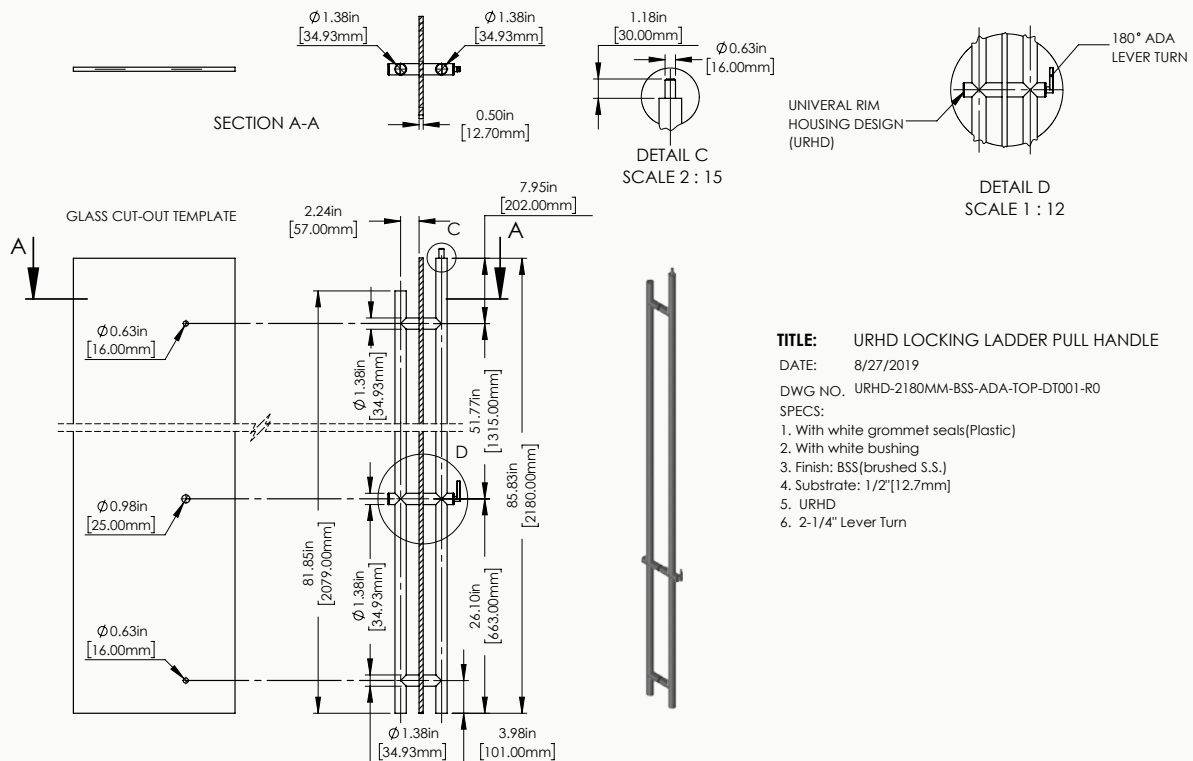
2-1/4", 180° ADA LEVER



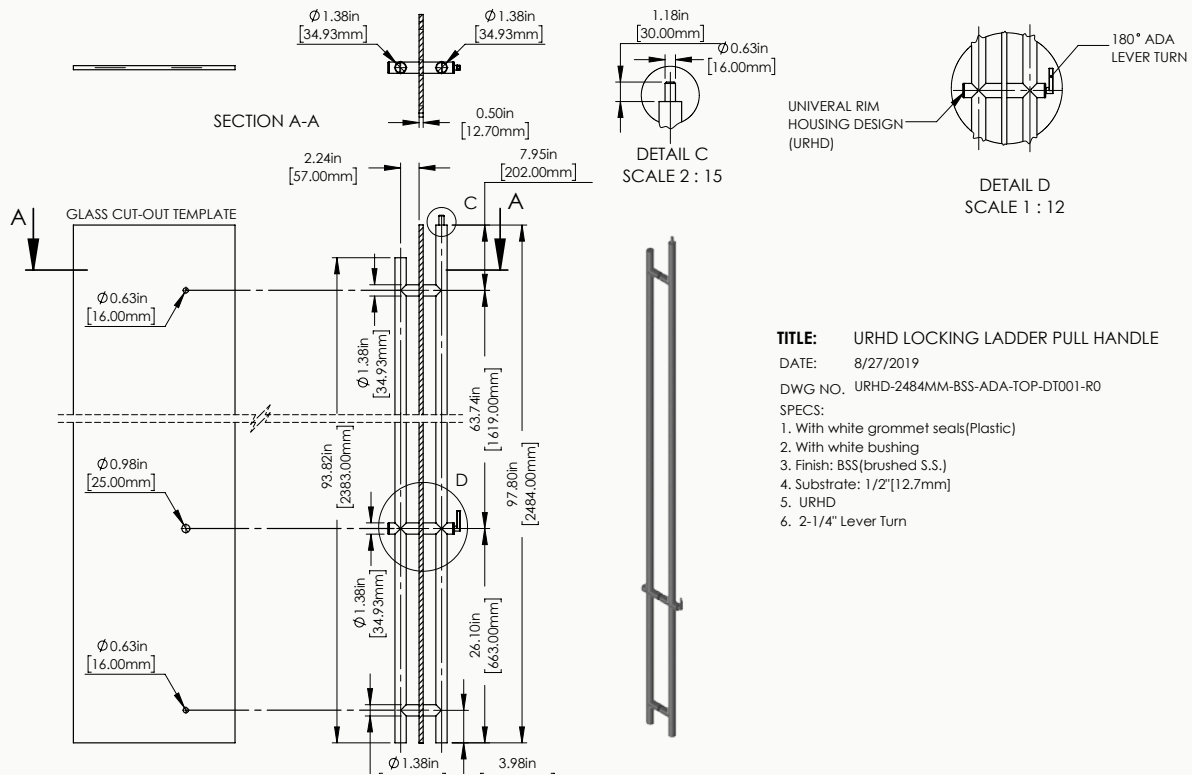
ADA Lever Options For bottom locking and top locking pulls. Available in brushed stainless and black powdercoat.



Top locking pull 73.3" (1862mm) Interchangeable to non-locking. Available in brushed stainless and black powdercoat.

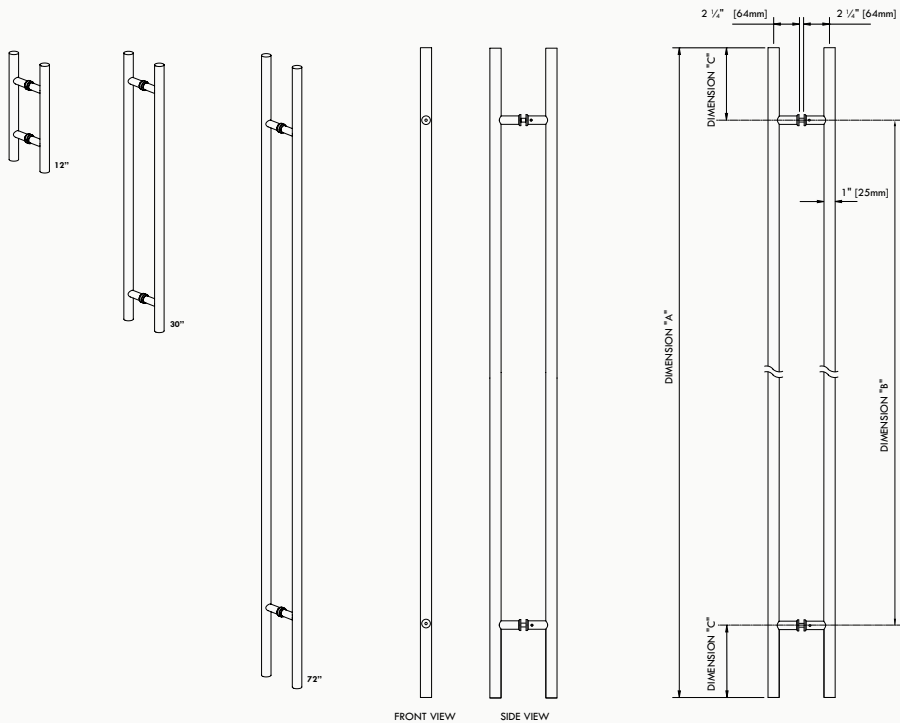


Top locking pull 85.83" (2180mm) Interchangeable to non-locking. Available in brushed stainless and black powdercoat.



TITLE: URHD LOCKING LADDER PULL HANDLE
DATE: 8/27/2019
DWG NO.: URHD-2484MM-BSS-ADA-TOP-DT001-R0
SPECS:
 1. With white grommet seals(Plastic)
 2. With white bushing
 3. Finish: BSS(brushed S.S.)
 4. Substrate: 1/2"(12.7mm)
 5. URHD
 6. 2-1/4" Lever Turn

Top locking pull 97.8" (2484mm) Interchangeable to non-locking. Available in brushed stainless and black powdercoat.



COMPONENTS & MATERIALS

- Bar Pull Assembly Materials**
 SUS304 Stainless Steel handle includes:
 2pcs SUS304 stainless steel Handle
 4pcs Black nylon Rosettes – 35mm diameter
 4pcs SUS304 stainless steel Decorative Bottom
 6pcs Upper/Lower Threaded Stud (SUS304 M8*45, 63, 76mm each 2pcs)
 2pcs Upper/Lower Collar
 2pcs M5*5 SUS304 stainless steel fixed-set Allen Screws
 1pcs Zinc plated steel Allen Key

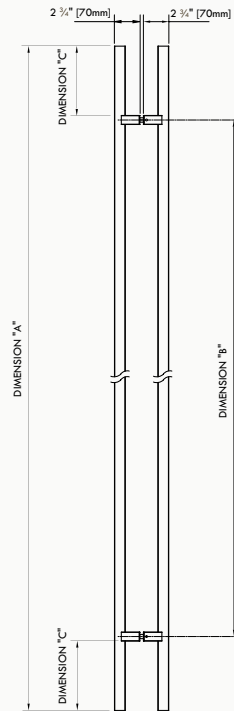
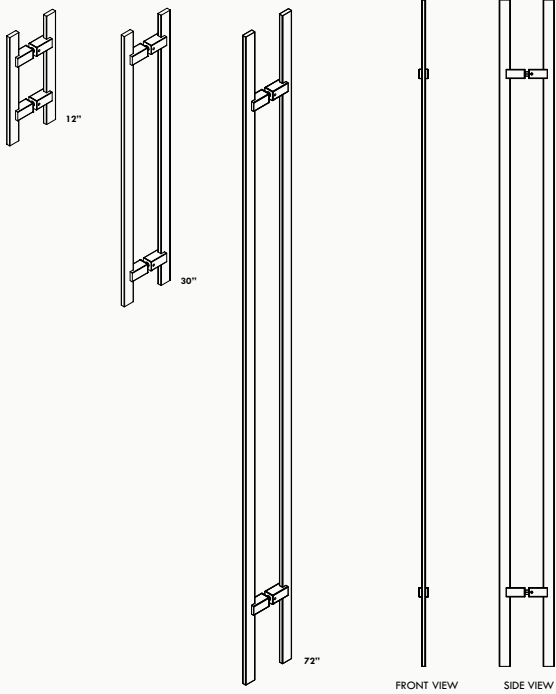
Finishes
 Comparable finish of BHMA 630 / US32D / C32D

DIMENSIONS & DETAILS

Thickness	
Handle Wall Thickness	1/16" (1.2mm)
Diameter	
Handle Diameter	1" (25mm)
Mounting Stems (at top & bottom of handle)	1/2" (19mm)
Short Handle Length* (13870)	
Dimension A	12" (305mm)
Dimension B	6" (152mm)
Dimension C	3" (76mm)
Medium Handle Length* (13871)	
Dimension A	30" (762mm)
Dimension B	24" (610mm)
Dimension C	3" (76mm)
Long Handle Length* (13987)	
Dimension A	72" (1829mm)
Dimension B	56" (1422mm)
Dimension C	8" (203mm)

*See Dimensions A, B, C on attached plan diagrams.

Slim non-locking pull options Available in brushed stainless and black powdercoat.



COMPONENTS & MATERIALS

Bar Pull Assembly Materials

SUS304 Stainless Steel Handle includes:

- 2pcs SUS304 stainless steel Handle Bars
- 2pcs Solid brass Connecting Inserts
- 4pcs SUS304 Stainless steel Decorative Bottoms
- 4pcs Clear plastic Washers
- 2pcs M6 stainless steel Connecting Nuts
- 2pcs Stainless steel M6*45mm Connecting Screws (6mm-1/4" thick glass application)
- 4pcs M5*5mm stainless steel fixed-set Allen Screws
- 1pc Zinc plated steel Allen Key

Finishes

Comparable finish of BHMA 630 / US32D / C32D

DIMENSIONS & DETAILS

Thickness

Handle Wall Thickness 1/16" (1.5mm)

Size

Rectangular Handle 1 3/16" x 3/16"
(30mm x 10mm)
Mounting Stems (at top & bottom of handle) 1" x 1"
(25mm x 25mm)

Short Handle Length* (13988)

Dimension A 12" (305mm)
Dimension B 6" (152mm)
Dimension C 2 1/2" (64mm)

Medium Handle Length* (13989)

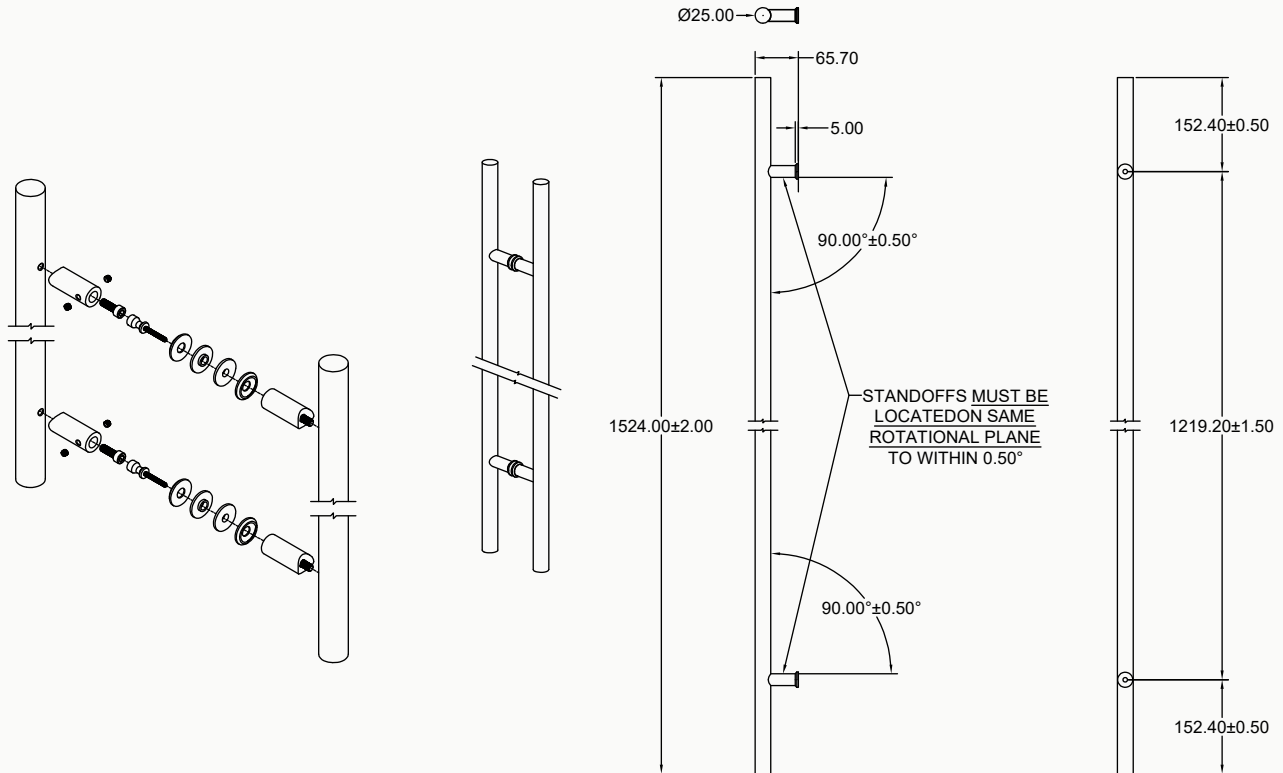
Dimension A 30" (762mm)
Dimension B 24" (610mm)
Dimension C 2 1/2" (64mm)

Long Handle Length* (13990)

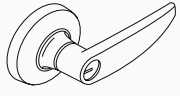

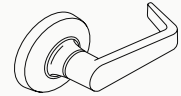

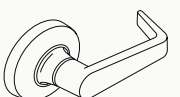








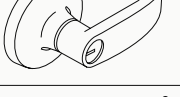

Dimension A 72" (1829mm)
Dimension B 56" (1422mm)
Dimension C 7 1/2" (190mm)

*See Dimensions A, B, C on attached plan diagrams.

Blade non-locking pull options Available in brushed stainless and black powdercoat.



60" non-locking pull Interchangeable to bottom locking. Available in brushed stainless and black powdercoat.

IMAGE	DESCRIPTION	NAME	IMAGE	DESCRIPTION	NAME	IMAGE	DESCRIPTION	NAME
	Lock Set	Jupiter		Passage Set	Neptune		Dummy Set	Saturn
	Lock Set	Neptune		Passage Set	Saturn		Dummy Set	Dane
	Lock Set	Saturn		Passage Set	Dane		Dummy Set	Quantum
	Lock Set	Dane		Passage Set	Quantum			
	Lock Set	Quantum		Passage Set	Jupiter			
	Passage Set	Jupiter		Passage Set	Neptune			

Cylindrical lever set options Available in 626 finish.

DIRTT SOLUTIONS



Folding Walls

Leaf™ gives any DIRTT wall the ability to open or close to reconfigure your spaces with ease. It works with new or already installed DIRTT.

[➞ Learn more](#)



Breathe™ Living Walls

Breathe™ Living Walls create scalable interior plantscapes. It's a low-tech system that lets you mix plant types because they grow in their own containers.

[➞ Learn more](#)



Custom Graphics on Corning® Willow® Glass

Corning® Willow® Glass incorporates any graphics into your space. Crystal clear glass makes them look great. It's impact resistant, plus you can write on and clean the surfaces.

[➞ Learn more](#)



Manufactured Casework

Have complete design freedom without paying for the cost of custom. All on fast and certain DIRTT lead times.

[➞ Learn more](#)



Power

DIRTT's quick-connect power makes for rapid on-site installation. All while it reduces waste and improves adaptability for any future changes.

[➞ Learn more](#)



Networks

Modular, quick-connect solutions that arrive on-site pre-terminated and tailored to the specific needs of your network. Reduce labor time by 60% with zoned copper or fiber deep solutions.

[➞ Learn more](#)



Access Floors

The DIRTT Access Floor speeds up installation and manages cables. Long term, it keeps your infrastructure easily accessible for IT.

[➞ Learn more](#)



Integrated Technology

Cleanly integrate any type of technology and keep it secure. Maximize function and look while you save space.

[➞ Learn more](#)



Timber Frame

DIRTT Timber Frame combines traditional craftsmanship with 21st century technology. It's a truly sustainable solution for unique structures limited only by your imagination.

[➞ Learn more](#)



Bespoke Ceilings

Modular, quick-connect solutions that arrive on-site pre-terminated and tailored to the specific needs of your network. Reduce labor time by 60% with zoned copper or fiber deep solutions.

[➞ Learn more](#)



Other Solutions

Acoustical Management

Seismic Solutions

[➞ Learn more](#)

Have any questions?

➔ Connect with your dedicated DIRT National Account Rep, Lisa Scala

